

Site Layout for Bike Fixtation Deluxe Public Work Stand

Minimum Space Requirements

The minimum space requirements for the Deluxe Public Work Stand are dependent on whether there is a Wheel Chock installed or not. See figure 1 and 2 for minimum space requirement dimensions. If branding is part of the installation, the back of the repair stand should face the trail.

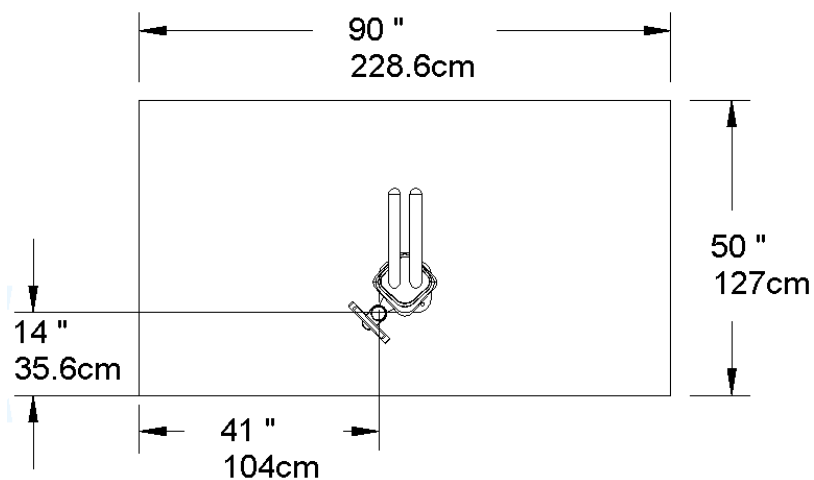


Figure 1: Minimum space requirements (without Wheel Chock)

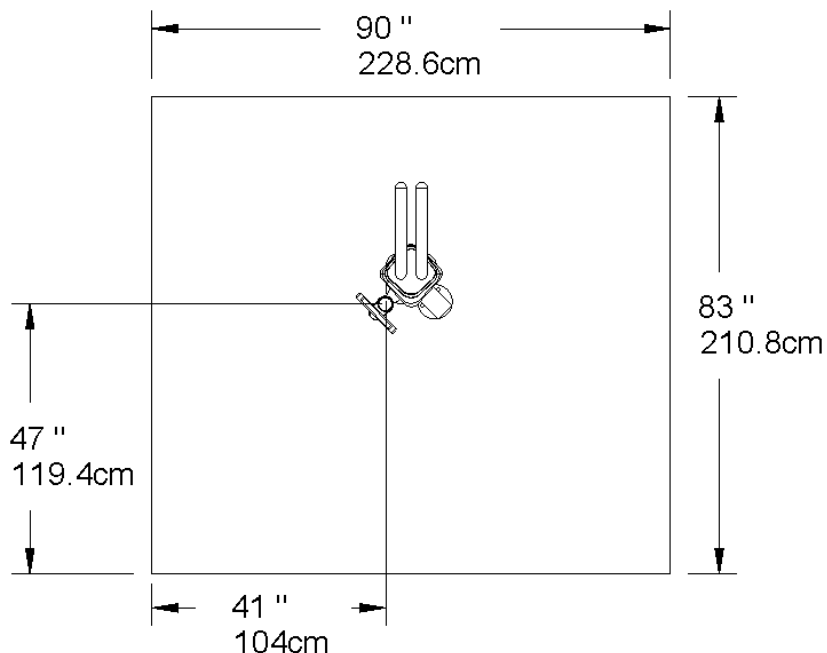


Figure 2: Minimum space requirements (with Wheel Chock)

Setbacks

It is recommended that all equipment is spaced a minimum of 60" from an adjoining street or cycle path.

Pad size

If you are pouring a new concrete pad, these are two recommended sizes. Option 1 is 36" x 36" x 4", option 2 is a 16" diameter cylinder that is 36" long.

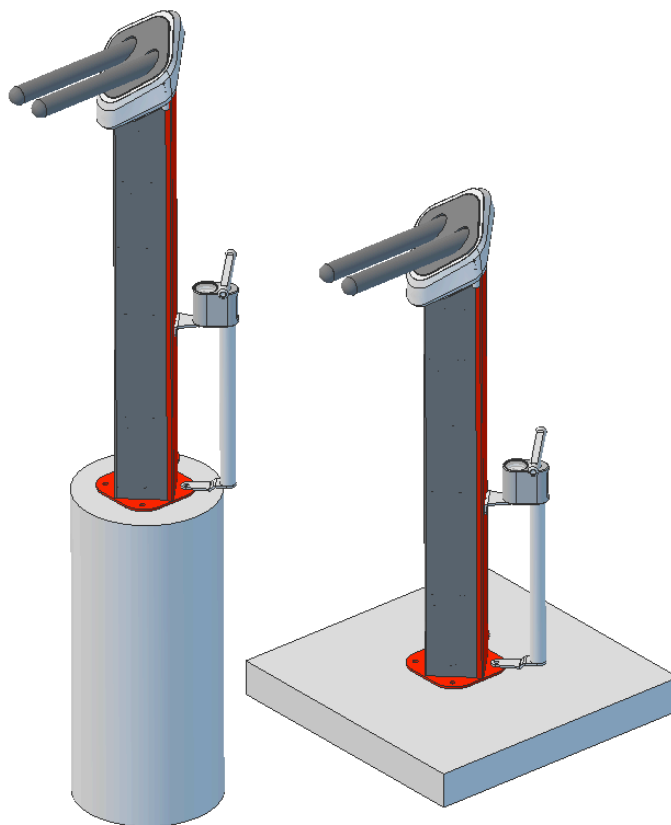


Figure 3: Recommended new pad configurations