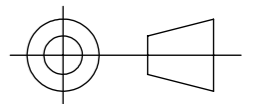


- NOTES: (unless otherwise specified)
1. All dimensions in MM
 2. General tolerances to ISO 2768-mk
 3. Deburr and break all sharp edges
 4. MATERIAL:
 5. FINISH:



REVISIONS:

cyclehoop

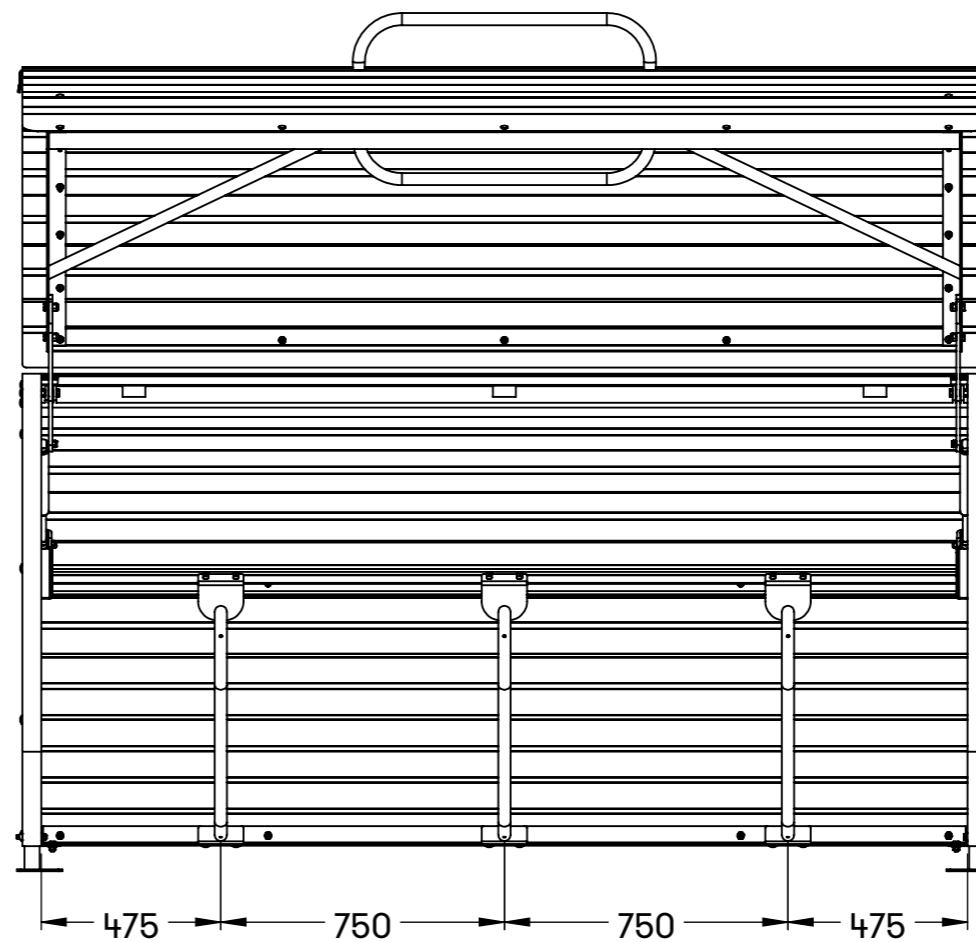
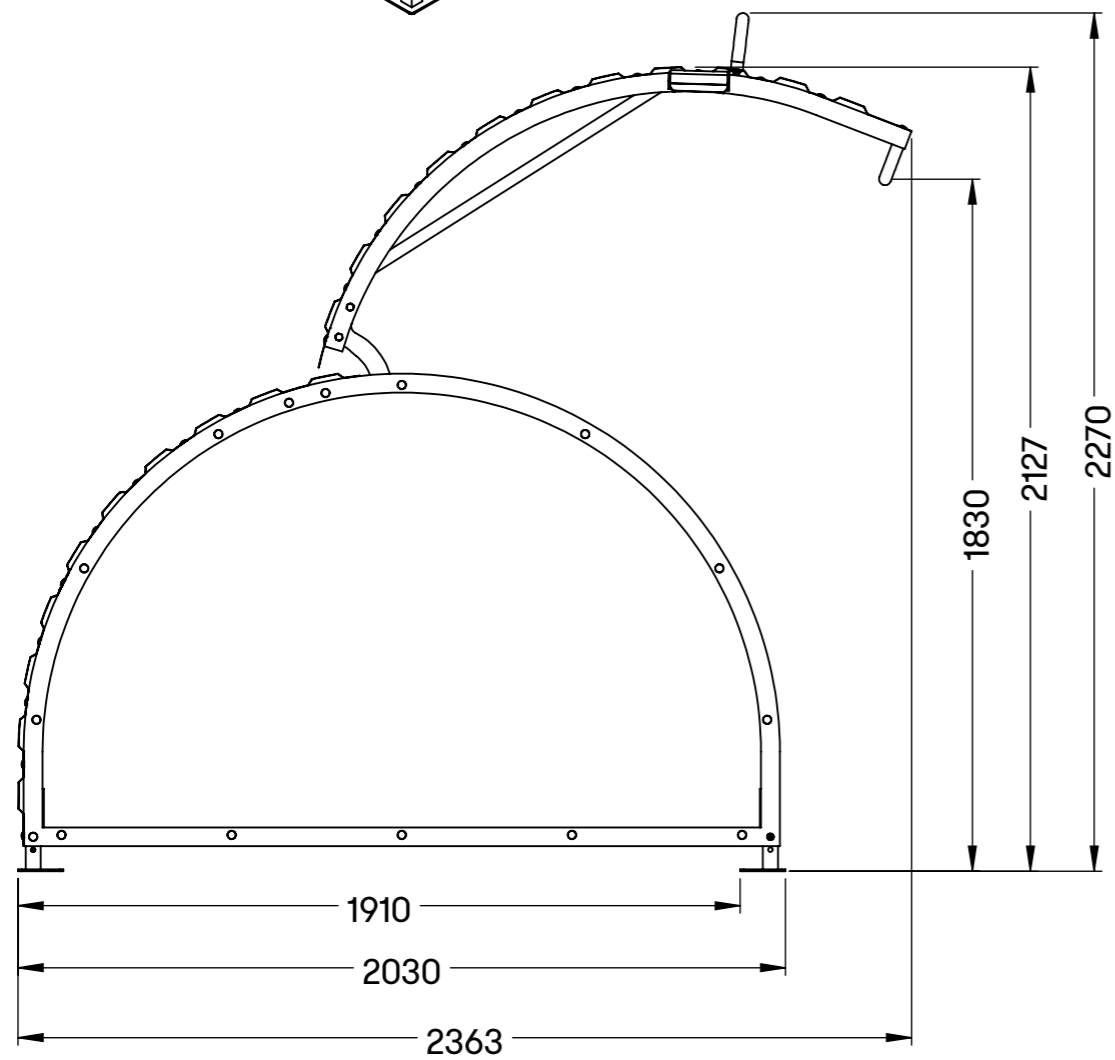
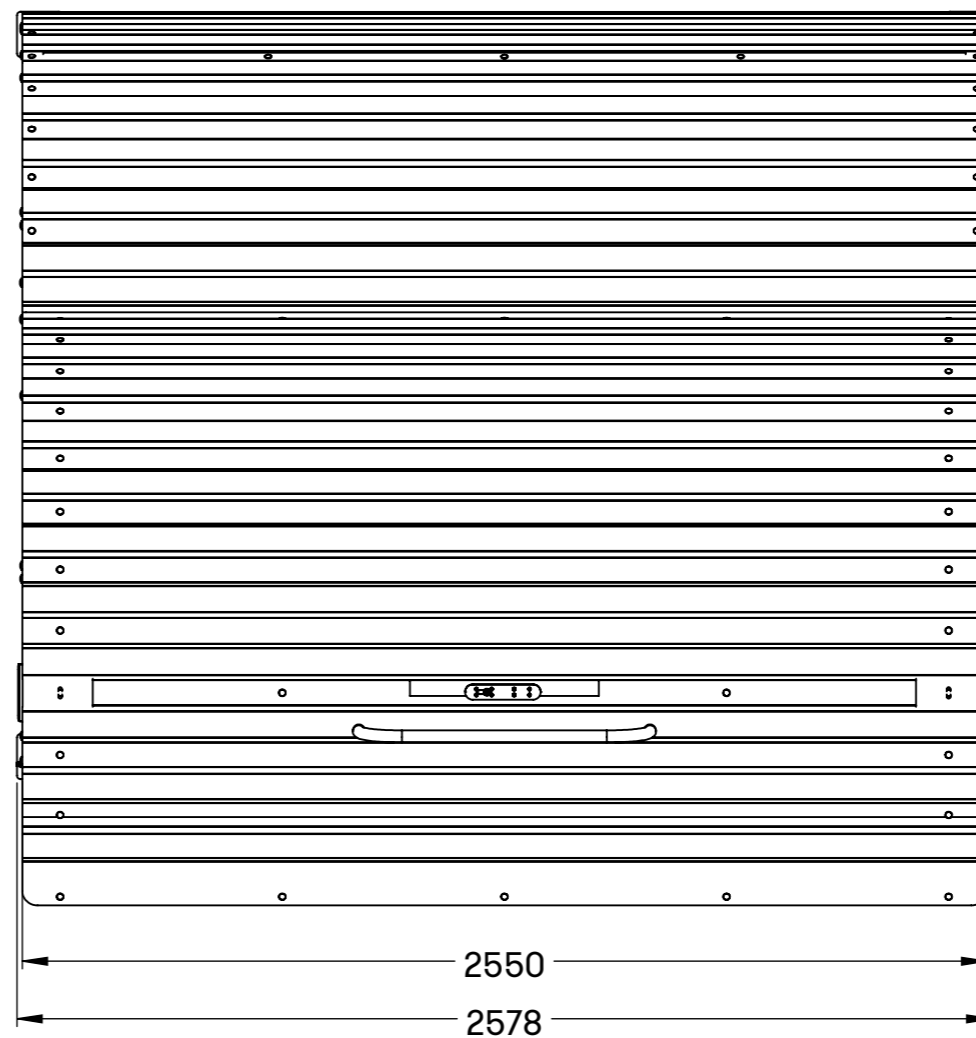
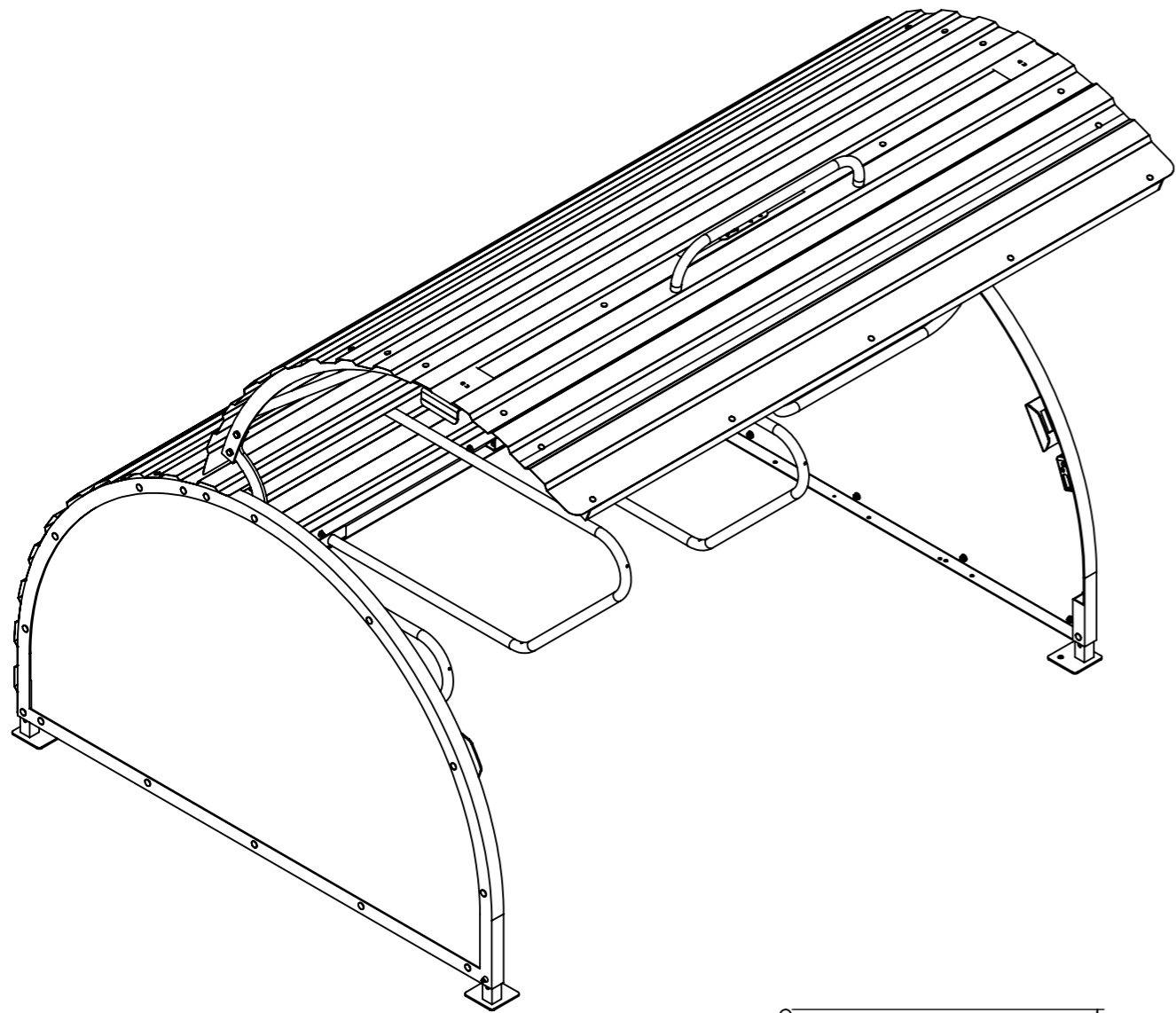
T: 0208 699 1338 E: info@cyclehoop.com
 Copyright © 2024 Cyclehoop Ltd.
 All materials contained are the property of Cyclehoop Ltd. and are protected by copyright.
 Prior written consent must be obtained for any use of the material.

TITLE:
Bikehangar GA

DESCRIPTION:
Bikehangar 4.2

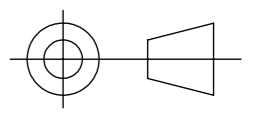
REV:
01

DRAWN BY: MM	APPROVED BY: MM
DRAWN DATE: 27/02/2025	APPROVED DATE: 27/02/2025
SHEET: 1 OF 3	SCALE: 1:20 AT A3



NOTES: (unless otherwise specified)

1. All dimensions in MM
2. General tolerances to ISO 2768-mk
3. Deburr and break all sharp edges
4. MATERIAL:
5. FINISH:



REVISIONS:



T: 0208 699 1338 E: info@cyclehoop.com
Copyright © 2024 Cyclehoop Ltd.
 All materials contained are the property of Cyclehoop Ltd. and are protected by copyright.
 Prior written consent must be obtained for any use of the material.

TITLE:
Bikehangar GA

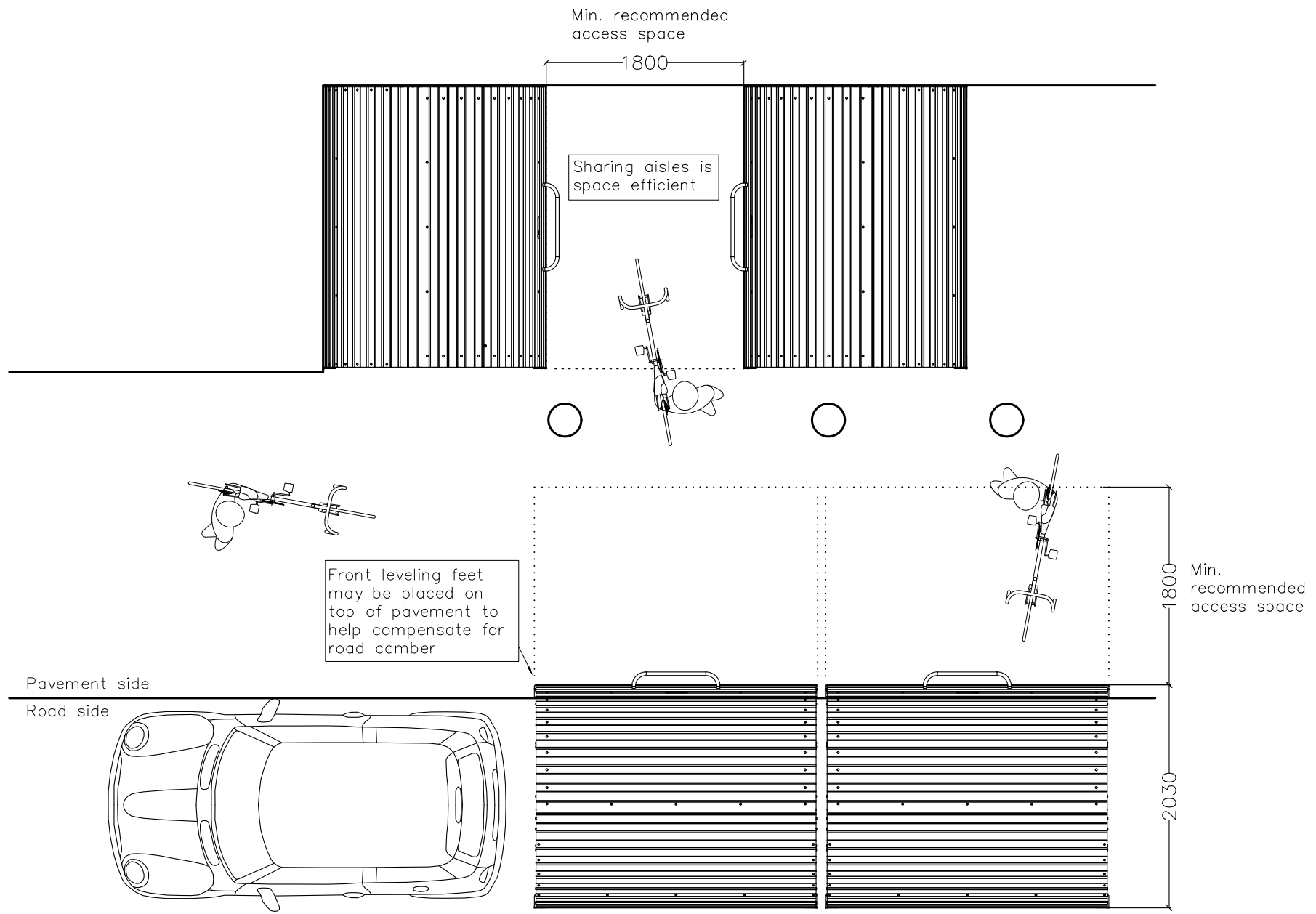
DESCRIPTION:
Bikehangar 4.2

REV:
01

DRAWN BY: MM	APPROVED BY: MM
DRAWN DATE: 27/02/2025	APPROVED DATE: 27/02/2025

SHEET: 2 OF 3	SCALE: 1:20 AT A3
-------------------------	-----------------------------

NOTES:



T: 0208 699 1338 E: info@cyclehoop.com

Copyright © 2018 Cyclehoop Ltd.
All materials contained are the property of Cyclehoop Ltd. and are protected by copyright. Prior written consent must be obtained for any use of the material.

TITLE:
General Arrangement

PROJECT:
Bikehangar V4.2

DATE:
DD-MM-YY

REVISION:
01

DRAWN BY:
CW

SCALE:
1:50 @ A3