

BIKE DOCK



SARIS
INFRASTRUCTURE



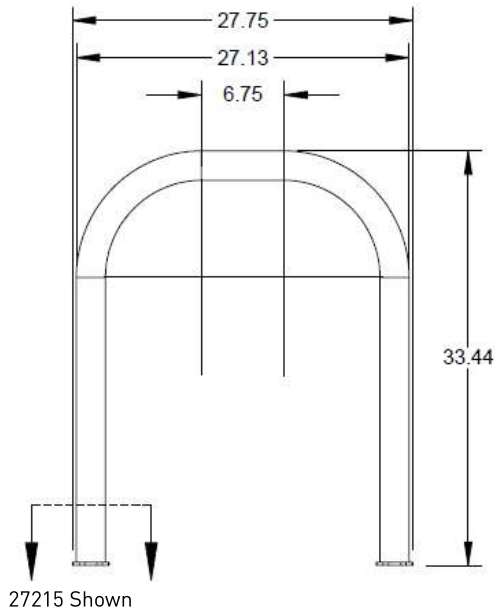
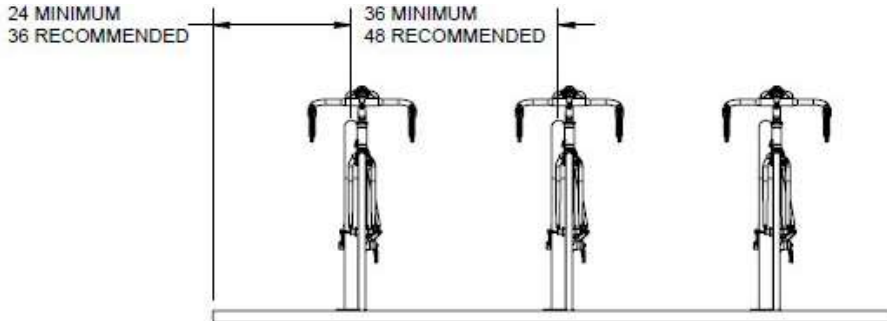
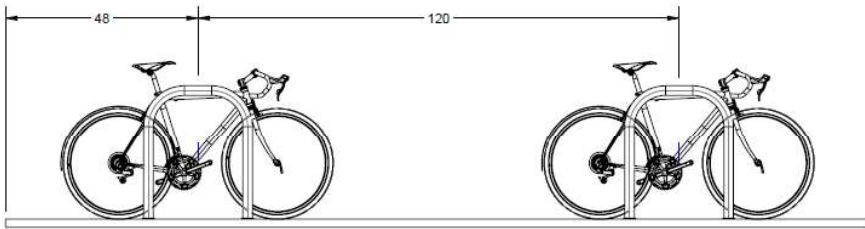
The Bike Dock is a simple and intuitive design that provides efficient, high security bike parking. This bike rack accommodates two bikes, supporting them at two points and allowing u-lock compatibility of both the wheel and bike frame. One of most popular bike racks in the world.

Product Specifications

- 2 3/8" OD Schedule 40 pipe – larger diameter pipe leaves less space between the lock and rack, which provides better security
- Accommodates two bikes
- Offers 2 points of contact for bike security
- Meets APBP bike parking guidelines

Bike Dock

Recommended Setbacks



2 bikes



2.375" Schedule 40 pipe



Powder Coat



Anchor Kit: 26270



1 year warranty



Made in the USA

Anchors must be purchased separately



Flange Mount

Dimensions

Model #	# Bikes	Type of Mount	Weight	Length	Height	Width
				2.375"		
27215	2	Flange	26 lbs.	27.75"	33.44"	5.25"

Downloadable product resources available online:



CAD Files



SketchUp Files



Written Specs



Photos

Our Saris Infrastructure representatives can assist with custom layout and spacing to meet your room dimensions and desired bike capacity.

Saris Infrastructure 800.783.7257

www.sarisinfrastructure.com